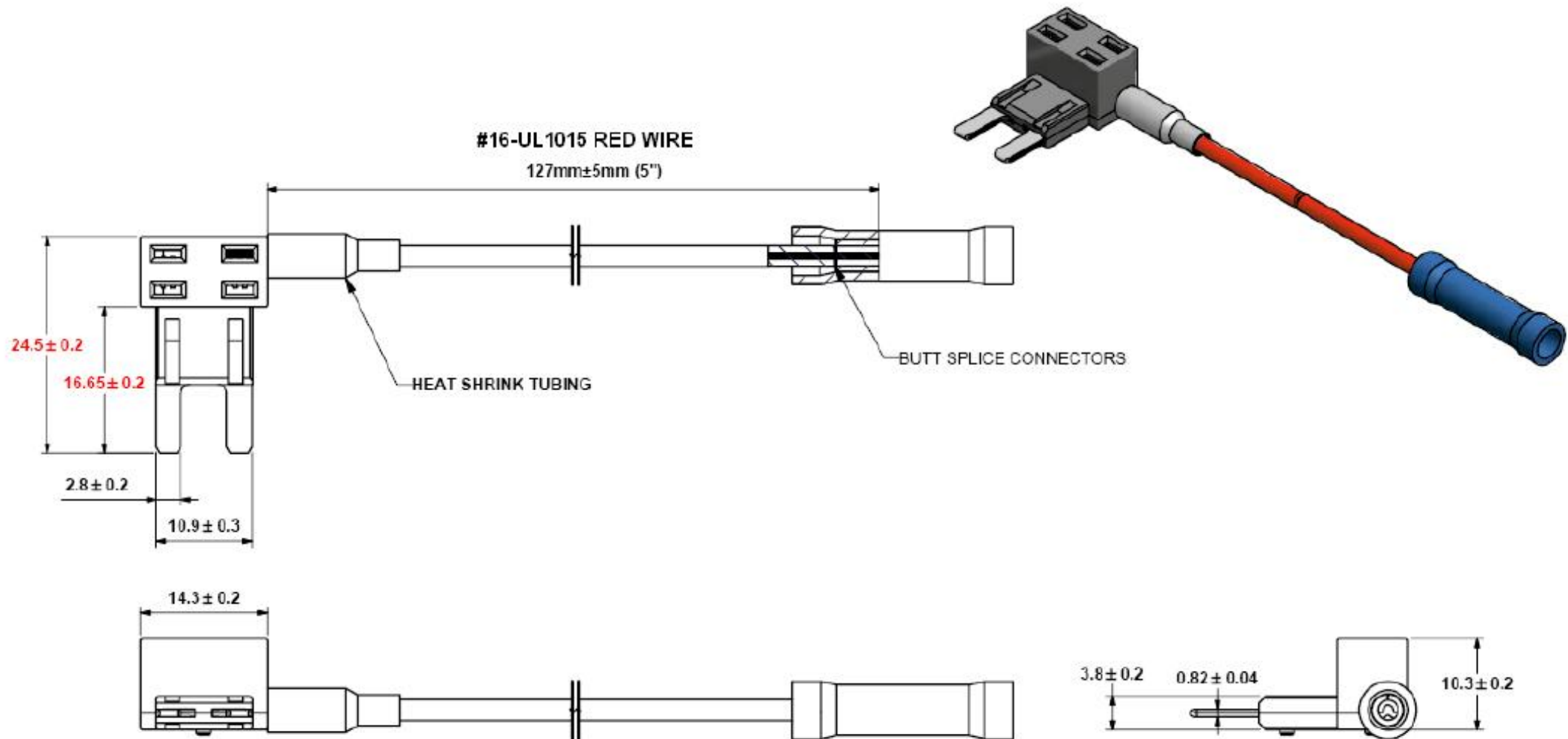


# CO:STAR<sup>★</sup>



## SPECIFICATION:

- ※ This In-Line Fuse Holder designed for turn one slot into two.
- ※ Max. Installation rating up to 20 Amps.
- ※ Butt Splice connectors pull-out force min. 15kg.
- ※ Cable Wire: #16-UL1015 Red Wire -127 mm ± 5mm (5")
- ※ Applicable Fuse: MIN-N (MINI/ATM)
- ※ Product meet RoHS
- ※ Product not UL Listed
- ※ Product manufactured at Taiwan R.O.C.