



# Product Data Sheet

LPAB Series

# M2M & ISM Band

## Low Profile Antennas

- Mesh Network
- Omni Directional
- ROHS Compliant
- Bluetooth
- Dual Band GSM
- SCADA
- UMTS UMTS
- Wifi
- WiMAX
- Zigbee



### LPAB

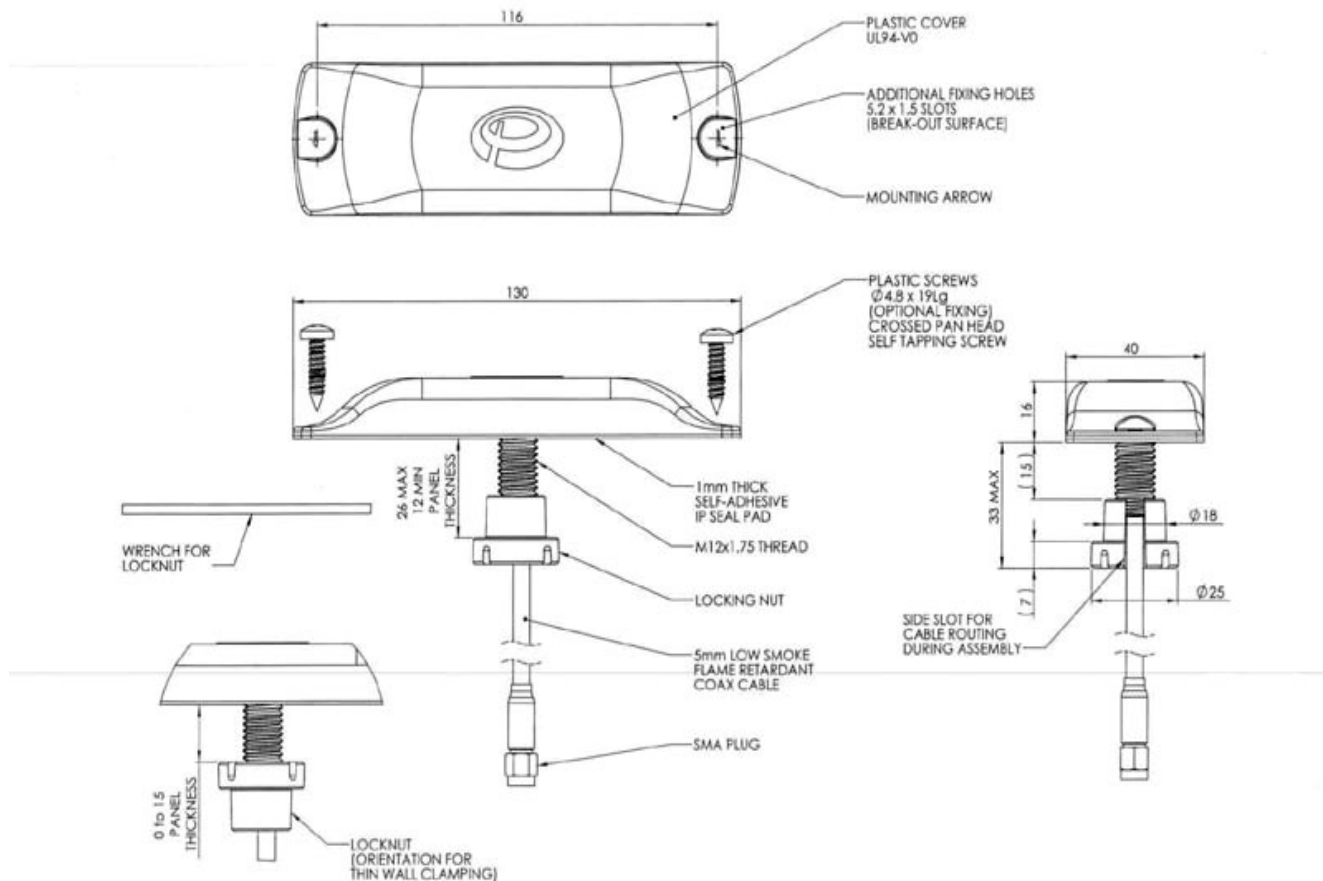
- Low profile, vandal & tamper proof design
- One hole installation with optional screw fixing
- Suitable for plastic or metal enclosures
- Range of frequency bands available

The Panorama LPAB range of antennas combine ergonomic style with sophisticated engineering. The rugged design features a solid impact resistant and weatherproof, plastic housing.

The low profile housing gives a high degree of vandal resistance making it perfect for vending machines or other telemetry devices in exposed locations that require reliable communications. The antenna is secured in place by a reversible locking nut allowing secure fitment to panels of between 1mm and 26mm thick.

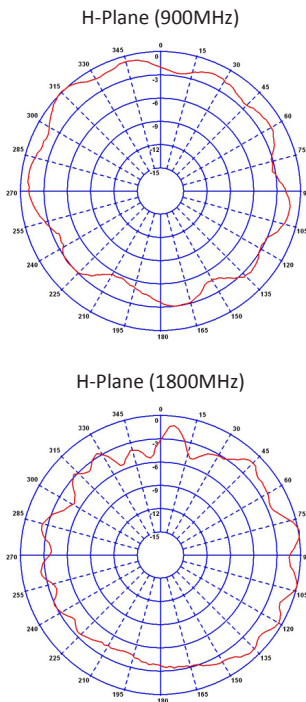
The antenna offers ground-plane independent omni directional performance across up to three bands making it a versatile solution for a number of applications. In order to maintain performance across a range of installation scenarios the LPAB supports both RG174 (2.8mm) and CS29 (5mm double shielded) cable for longer cable runs.

#### Technical Drawing

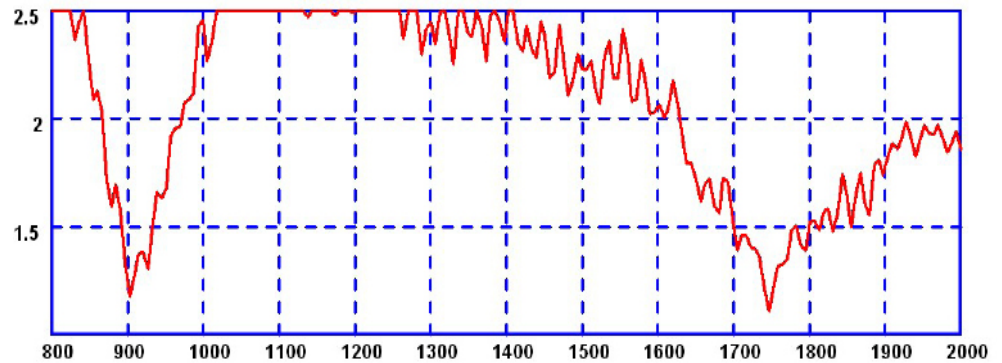


# M2M & ISM Band

## Low Profile Antennas



Typical VSWR\*



\* Measured on a 600mm<sup>2</sup> groundplane

Part No.	LPAB-868-3G-03F	LPAB-925-2400-2SP	LPAB-DE-2SP	LPAB-AP-2SP
<b>Electrical Data</b>				
Frequency Range (MHz)	840-890, 2100-2170	890-960, 2400-2500	890-960, 1710-1880	824-894, 1850-1990
Operational Band	ISM868 & 3G UMTS	GSM900 & 2.4GHz WLAN	GSM900 & GSM1800	Cellular 850 & 1900
VSWR	< 2:1	< 2:1	< 2:1	< 2:1
Gain: Isotropic	0dBi	0dBi	0dBi	0dBi
Compared to ¼ wave	-2dB	-2dB	-2dB	-2dB
Pattern	Omni-directional	Omni-directional	Omni-directional	Omni-directional
Impedance	50Ω	50Ω	50Ω	50Ω
Max Input Power (W)	25W	25W	25W	25W
<b>Mechanical Data</b>				
Dimensions (mm)	Height	15.5		
	Length	130		
	Width	40		
Operating Temp (°C)	-40° / +80°C			
Material	Impact Resistant ABS / U.V. Stable			
Colour	Telegray 7047			
<b>Mounting Data</b>				
Fixing	Panel Mount with optional screw fixings			
Mounting Hole Size (mm)	Length	15.5		
	Diameter	12		
<b>Cable Data</b>				
Type	RG174	CS29	RG174	RG174
Thickness (mm)	2.8	5	2.8	2.8
Length (m)	0.3	1.5	2	2
Termination	FME Jack†	SMA Plug†	SMA Plug†	SMA Plug†

† All micro connectors available

**Panorama Antennas Ltd**  
Frogmore, London, SW18 1HF, United Kingdom

T: +44 (0)20 8877 4444  
F: +44 (0)20 8877 4477

E: [sales@panorama-antennas.com](mailto:sales@panorama-antennas.com)  
[www.panorama-antennas.com](http://www.panorama-antennas.com)

**PANORAMA  ANTENNAS**