



FINB

OEM shark fin styling
Panel mount base for VHF or UHF whip

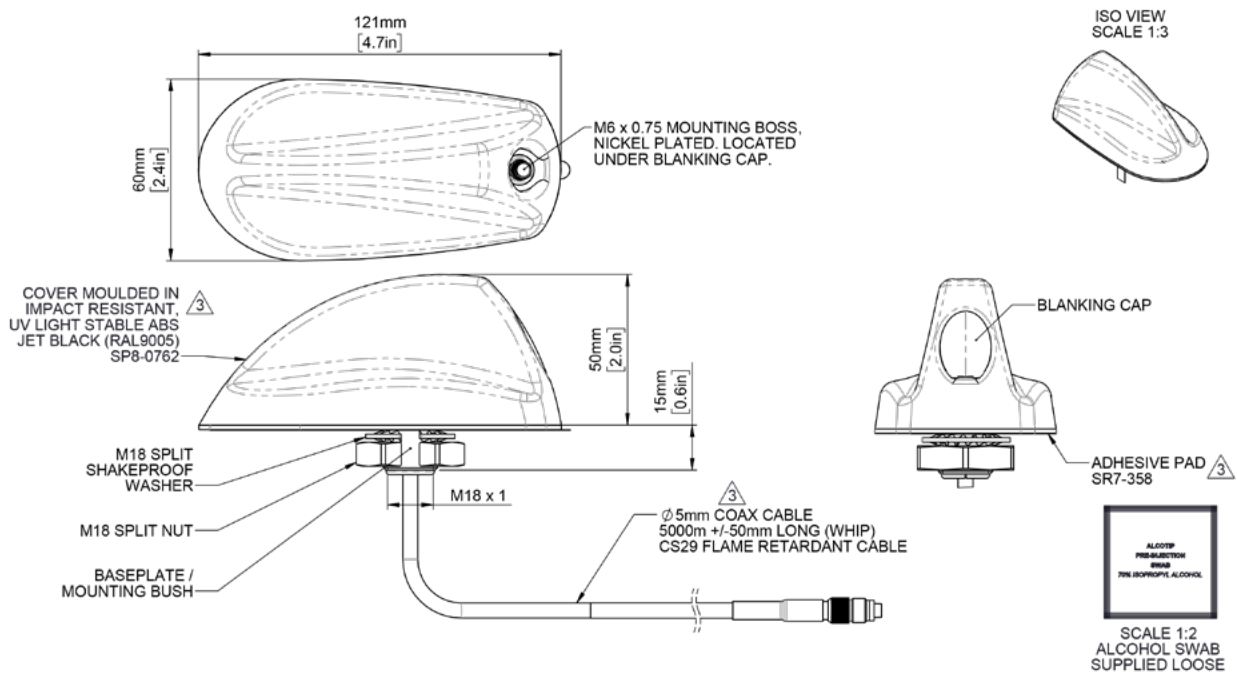
The FINB range offers a panel mount base with discreet sharkfin styling and a whip mounting position designed to accept a large range of Panorama Antennas' single band and multi-band whips.

The FINB is easy to install with an acrylic adhesive sealing pad which fixtures the antenna during installation and seals the antenna mounting location during use. Supplied with an integrated 5m (17') or 6m (20') low loss coax cable the FINB can be mounted through a single 19mm (3/4") hole.

The FINB is suitable for the public safety (covert and discreet), industrial and transportation sectors, where a cost effective, efficient and robust antenna is essential to the application.

Technical Drawing

FINB-5F Shown



Product Data

Part No.

FINB

FINB-5F

FINB-5QMAP

Electrical Data

Impedance

50Ω

Max Input Power (W)

100W

Mechanical Data

Dimensions (inches)

Total Height

2 (50 mm)

Length

4.8 (121 mm)

Width

2.4 (60 mm)

Operating Temp (°C)

-40° / 176°F (-40° / +80°C)

Material

Impact resistant UV light stabilised ABS

Colour

Black

Ingress Protection

IP66

Cable Data

Cable Type

FR CS29 (UN ECE R118)

Diameter (inches)

0.2 (5 mm)

Length (feet)

20 (6m)

17 (5m)

Termination

Bare end

FME Jack (f)

QMA Plug (m)