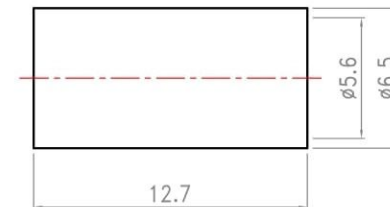
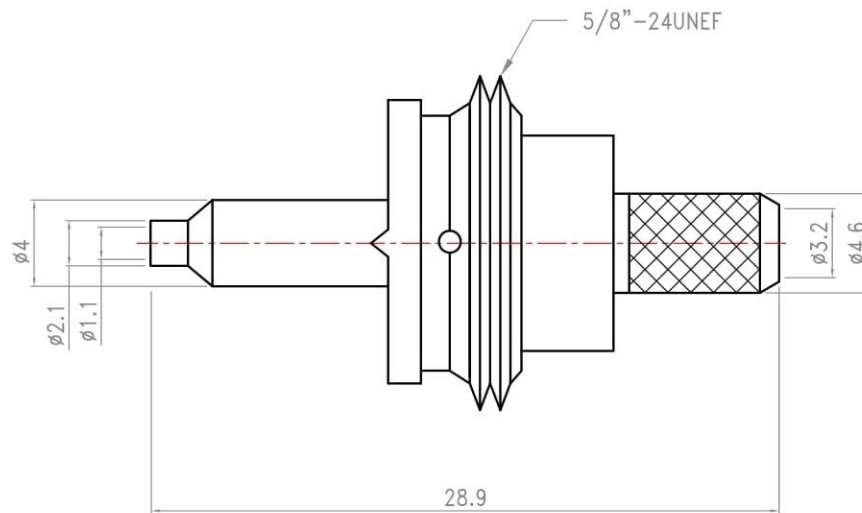
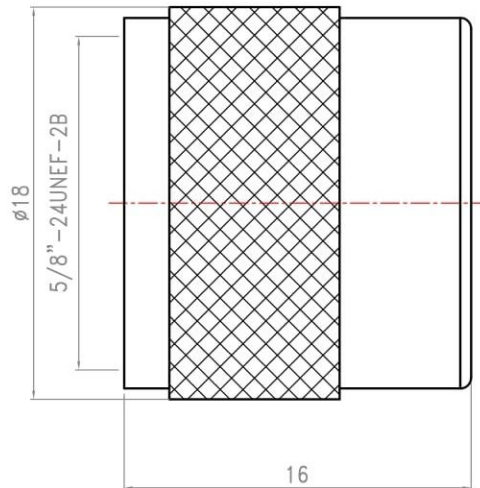


Revisions

Note: Revisions B; B-1; B-2..... On Behalf of Official Drawing.
 Revisions 1; 2; 3; 4..... On Behalf of Experiment's Drawing.

ISS	Symbol	Description	Date
B		CHE for New Drawing Frame & New PN System	2006/07/10



Recommended Cable Stripping Dimensions

Recommended Crimped Dimensions for Ferrule

*Change new drawing frame in Blue Color since 2009/07/01 , to comply with Company CIS Policy.

RoHS COMPLIANCE

ITEM	Description	Material	Finish	Part Number	QTY	Scale	Abbr.	Date	Rev.	DWG.NO.	TITLE.
6						Scale	Abbr.	Date	Rev.	C5074C	UHF Straight Crimp Plug for RG58 Cable
5	Ferrule	Brass	Nickel			NTS	ST	2010/01/06	B		
4	Pin	Brass	Nickel			Tolerances : .X ±0.2 .XX ±0.1 .XXX±0.05				Customer P/N:	
3	Insulator	Delrin	None			All Dimensions in mm (Unless Otherwise Specified)			Drawn	Checked	Approved
2	Body	Brass	Nickel			Mark	Ryan	G. Sun			
1	Shell	Brass	Nickel			2010/01/06	2010/01/06	2010/01/06			