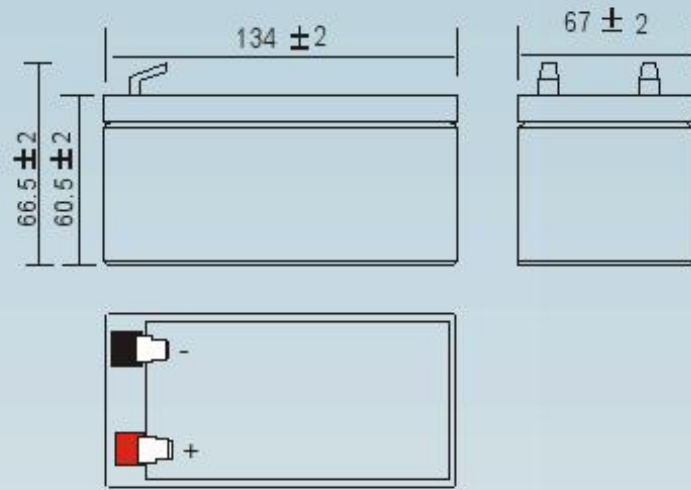


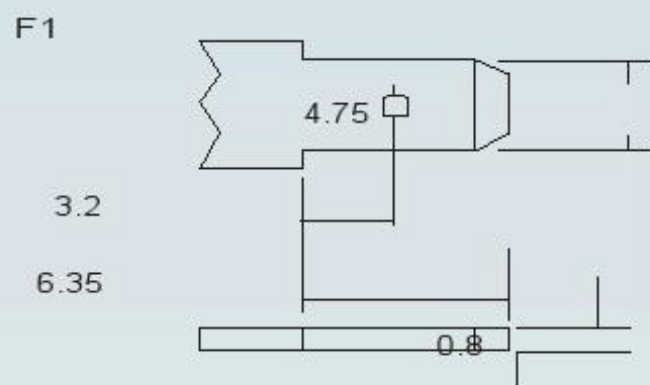
## PS Range

(5yr Design Life in Float Service at 20°C)

### Dimensions (mm)



### Standard terminal (mm)



### Physical Specification

<b>Nominal Voltage</b>		<b>12V</b>
<b>Nominal Capacity (20HR)</b>		<b>3.4 AH</b>
<b>Dimension</b>	<b>Length</b>	<b>134 ± 2 mm</b>
	<b>Width</b>	<b>67 ± 2 mm</b>
	<b>Container Height</b>	<b>60.5 ± 2 mm</b>
	<b>Total Height (with terminal)</b>	<b>66.5 ± 2 mm</b>
<b>Weight</b>		<b>Approx 1.35kg</b>
<b>Standard Terminal</b>		<b>F1</b>

## PS-1230 12V 3.4AH



### Discharge Characteristics (25°C, 77°F)

Rated Capacity	20hr Rate(1.80V/cell)		Cycle	Initial Charging Current Less than 0.85A Voltage 14.40V ~ 15.0V at 25°C (77°F)
	10hr Rate(1.80V/cell)	5hr Rate(1.75V/cell)		
3.40AH	3.25AH	2.93AH	Constant Voltage Charge	Recommended Charge Current less than 0.85A Voltage 13.5V ~ 13.8V at 25°C (77°F)
3.17AH	2.93AH	2.21AH		
2.21AH				
Capacity Affected by Temperature	40°C (104°F)	103%	Standby	
	25°C (77°F)	100%		
	0°C (32°F)	86%		

### Internal Resistance mΩ

Approx 45.0 mΩ

### Constant Current Discharge Characteristics Unit: Amperes (25°C, 77°F)

F.V/Tim e	5MIN	10MIN	15MIN	20MIN	30MIN	45MIN	1HR	2HR	3HR	4HR	5HR	6HR	8HR	10HR	20HR
1.60V	13.12	8.91	6.60	5.39	3.91	2.72	2.21	1.26	0.957	0.769	0.629	0.534	0.412	0.342	
1.67V	11.32	7.96	5.99	4.95	3.63	2.58	2.11	1.21	0.911	0.731	0.599	0.517	0.405	0.335	
1.70V	10.79	7.61	5.80	4.76	3.51	2.55	2.07	1.19	0.891	0.721	0.593	0.512	0.402	0.331	
1.75V	9.80	6.98	5.44	4.53	3.37	2.45	2.00	1.14	0.867	0.702	0.585	0.502	0.396	0.328	0.172
1.80V	8.69	6.35	4.98	4.21	3.25	2.36	1.92	1.10	0.851	0.687	0.563	0.488	0.389	0.325	0.170
1.85V	6.47	4.97	4.12	3.56	2.75	2.03	1.71	1.01	0.791	0.643	0.525	0.455	0.367	0.307	0.168

### Constant Power Discharge Characteristics Unit: (Watts/cell) (25°C, 77°F)

F.V/Tim e	5MIN	10MIN	15MIN	20MIN	30MIN	45MIN	1HR	2HR	3HR	4HR	5HR	6HR	8HR	10HR	20HR
1.60V	21.8	15.2	11.6	9.7	7.1	5.1	4.2	2.4	1.83	1.48	1.21	1.04	0.81	0.67	
1.67V	19.3	13.9	10.7	9.0	6.7	4.8	4.0	2.3	1.75	1.41	1.16	1.01	0.79	0.66	
1.70V	18.6	13.4	10.4	8.7	6.5	4.8	3.9	2.3	1.72	1.40	1.15	1.00	0.79	0.65	
1.75V	17.4	12.5	9.9	8.3	6.3	4.6	3.8	2.2	1.67	1.36	1.14	0.98	0.78	0.65	0.34
1.80V	15.7	11.6	9.2	7.8	6.1	4.5	3.7	2.1	1.65	1.34	1.10	0.96	0.77	0.64	0.34
1.85V	11.8	9.2	7.7	6.7	5.3	3.9	3.3	2.0	1.54	1.26	1.03	0.90	0.73	0.61	0.33

