

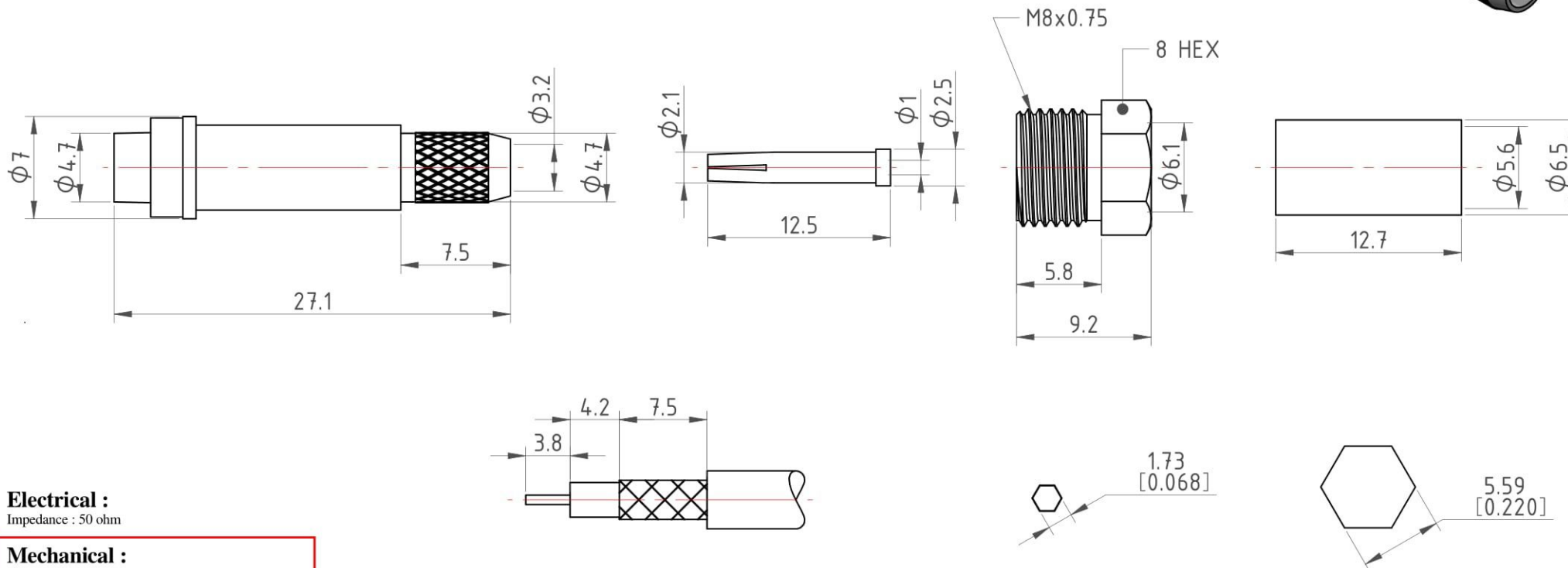
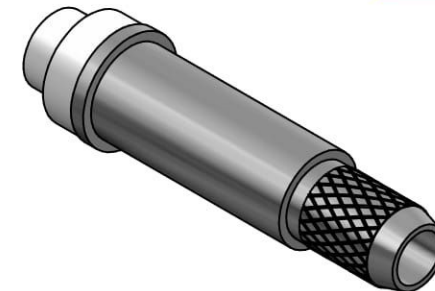
Revisions

"Note: Revisions B: B-1; B-2..... On Behalf of Official Drawing.
Revisions 1; 2; 3; 4..... On Behalf of Experiment's Drawing."

ISS	Symbol	Explanation	Date
B	△B	Formal Drawing Released.	2006/07/10
B-1	△B-1	CHE New Frame	2017/08/08

Notes :

- Any Electrical, Mechanical or Environmental Test Per MIL-PRF-39012F Should be Spotlighted, as We May Not Have All Testing Equipment to Cover All of It.
- Single Crimp: Recommended Dimensions Provided for Ferrule.
Dual Crimp: Recommended Dimensions Provided for Ferrule and Center Pin.
Please Advise Single/Dual in Advance to Avoid Any Inconsistency.
- All Metal Materials Are in Compliance with RoHS 2 Directive 2011/65/EU Annex III Section 6 Paragraph.
- Recommended Crimped Hand Tool : P/N - HT-301Y



Electrical :

Impedance : 50 ohm

Mechanical :

Mating : M8x P0.75 Screw-on Coupling.
Recommended Mating Torque : 0.6 lbs ~ 2.5 lbs
Coupling Nut Retention Force : ≥101.2 lbs
Cable Retention Force : ≥ 28.7 lbs (for RG58)

Recommended Cable Stripping Dimensions

Recommended Crimping Dimensions for Inner Contact

Recommended Crimping Dimensions for Ferrule

Finish [Unit of Plating Thickness Is in Micro Inch(μ)]

- Nickel Plating Thk. : 50μ"min. (Under Plating)
- Gold Plating Thk. : 2 μ"max. (Over Finish 1)

*RoHS and REACH are fully complied to create a greener planet for future generations.

5	Nut	Brass	Finish 1		
4	Ferrule	Brass	Finish 1		
3	Inner Contact	Brass	Finish 1/2		
2	Insulator	Delrin	None		
1	Body	Brass	Finish 1		
ITEM	Description	Material	Finish	Part Number	QTY

Scale	Abbr.	Date	Rev	DWG.NO.	
NTS	ST	2021/3/3	B-1	CF.1	
Tolerances :				Customer P/N:	
.X ±0.2				Title	
.XX ±0.1				FME S/T Jack, Dual Crimp Type	
.XXX ±0.05				for RG58, LMR195, HDF195, URM43 ; 76, B9907, PSF1/6 Cable	
Angular : ±1°				All Dimensions in mm[Inch] (Unless Otherwise Specified)	
Drawn	Checked	Approved		Title	
Amy	RD	S. Sun		FME S/T Jack, Dual Crimp Type	
2021/3/3	2021/3/3	2021/3/3		for RG58, LMR195, HDF195, URM43 ; 76, B9907, PSF1/6 Cable	

