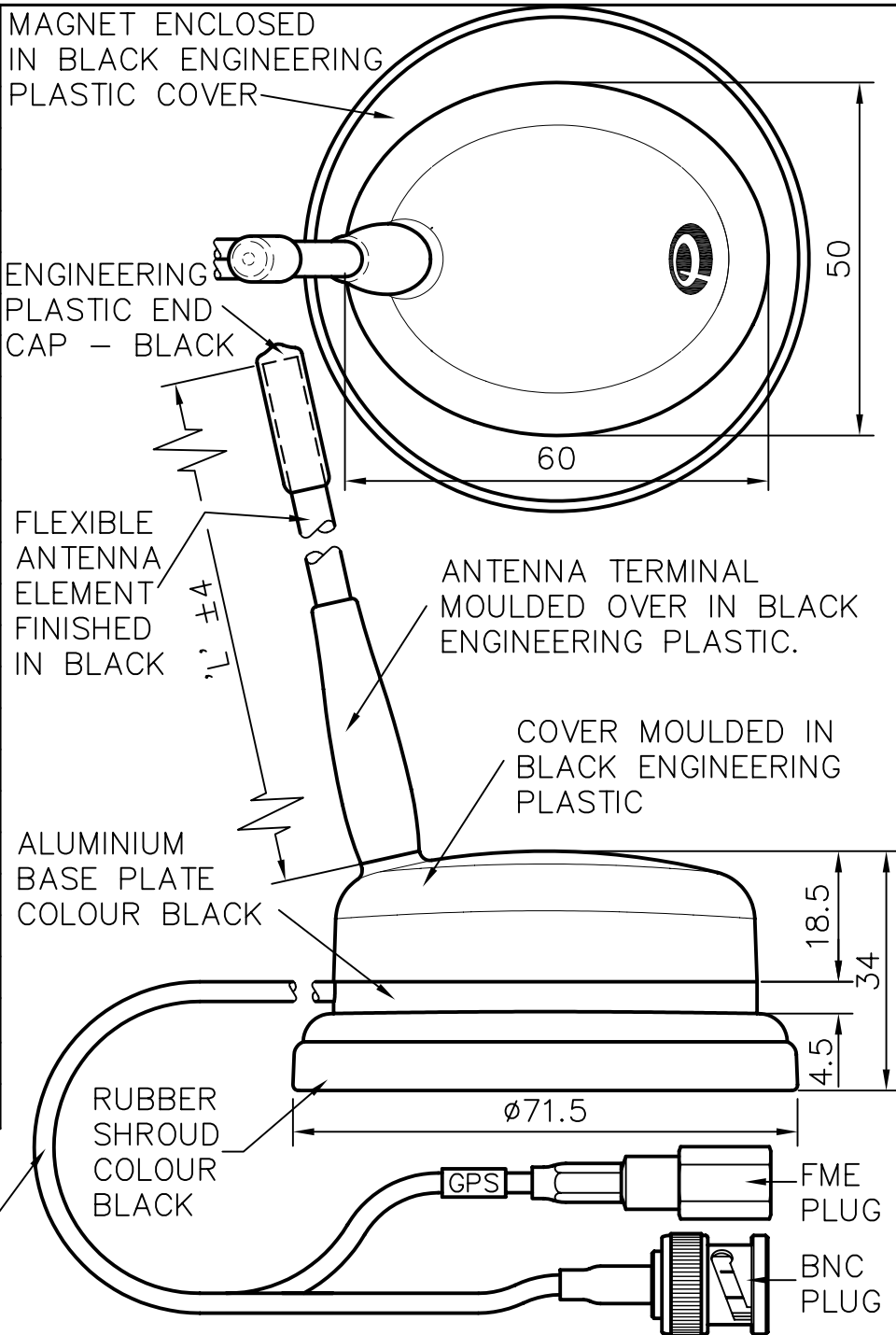


PART No.	FREQ. RANGE IN MHZ.	LENGTH 'L' IN mm
GPSKM-JRC-MOT	139-157	459
GPSKM-H4-MOT	141-151	465
GPSKM-H5-MOT	149-159	450
GPSKM-H6-MOT	156-162	428
GPSKM-H7-MOT	162-174	405
GPSKM-K5-MOT	174-192	375
GPSKM-K6-MOT	192-208	335
GPSKM-K7-MOT	208-225	305
GPSKM-L-MOT	220-250	288
GPSKM-224-MOT	224	293
GPSKM-M-MOT	245-275	260
GPSKM-N-MOT	270-300	233
GPSKM-R1-MOT	300-334	206
GPSKM-R-MOT	330-366	183
GPSKM-R2-MOT	350-370	179
GPSKM-S-MOT	350-392	174
GPSKM-S1-MOT	380-400	158
GPSKM-TET-MOT	380-430	154
GPSKM-T-MOT	390-432	150
GPSKM-UT-MOT	406-472	140
GPSKM-S2-MOT	410-430	148
GPSKM-T2-MOT	420-456	143
GPSKM-U-MOT	430-472	135
GPSKM-S4-MOT	450-470	130
GPSKM-W-MOT	470-512	120



DRG. No. <b>GPSKM-VAR-MOT</b>			
TITLE <b>MAG. MOUNT GPS COMBINATION 26dB ANT. 3m FME PLUG/ BNC PLUG-VARIOUS</b>			
MATERIAL			
FINISH			
DRAWN	A.G.	DO.CHECK	K.D.
SCALE	1:1	DIMENSIONS IN mm	
TOLERANCES UNLESS OTHERWISE STATED 0 DEC. PLACE ±0.5    2 DEC. PLACES ±0.1 1 DEC. PLACE ±0.2    ANGULAR    ±1°			
DO NOT SCALE	PROJECTION		
C/NOTE	ISSUE	DATE	APPROVAL
01019	1	10.12.08	K.D.
△ — DENOTES LATEST ISSUE CHANGES			
<b>PANORAMA ANTENNAS</b>			
THIS DOCUMENT MUST NOT BE COPIED OR DISCLOSED TO A THIRD PARTY WITHOUT THE WRITTEN CONSENT OF PANORAMA ANTENNAS LTD.			
© 2008			A4

THIS IS A PROPRIETARY ITEM OF PANORAMA ANTENNAS LTD. AND COULD BE SUBJECT TO CHANGE WITHOUT PRIOR NOTICE. THIS ITEM IS RoHS COMPLIANT.