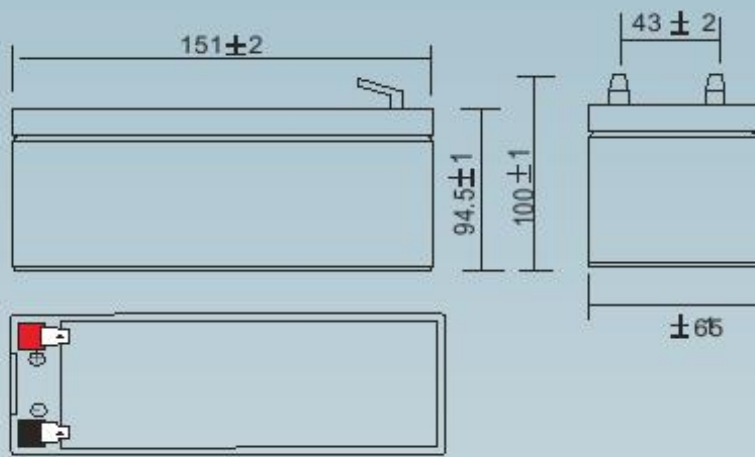
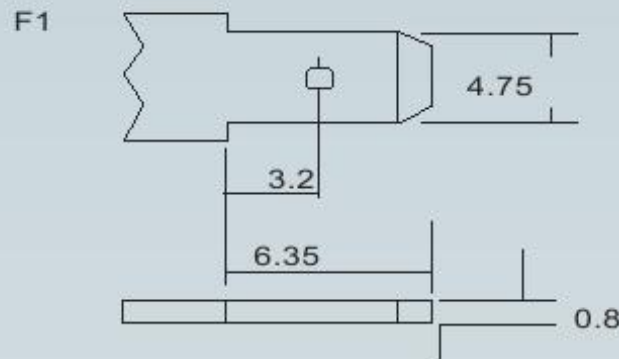


### Dimensions (mm)



### Standard terminal (mm)



### Physical Specification

Nominal Voltage		12V
Nominal Capacity		7.0AH
Dimension	Length	151 ± 2 mm
	Width	65 ± 1 mm
	Container Height	94.5 ± 1 mm
	Total Height (with terminal)	100 ± 1 mm
Weight		Approx 2.36kg
Standard Terminal		F1

## PS-1270 12V



### Discharge Characteristics (25°C, 77°F)

Rated Capacity	20hr Rate(1.80V/cell) 10hr Rate(1.80V/cell) 5hr Rate(1.75V/cell) 3hr Rate(1.75V/cell) 1hr Rate(1.60V/cell)	7.20AH 6.70AH 6.12AH 5.51AH 4.52AH	Constant Voltage Charge	Cycle	Initial Charging Current Less than 1.75A Voltage 14.40V ~ 15.0V at 25°C (77°F)

### Internal Resistance mΩ

Approx 18.0 mΩ

### Constant Current Discharge (Amperes) at 25°C(77°F)

F.V/Time	5min	10min	15min	20min	30min	45min	1h	2h	3h	4h	5h	6h	8h	10h	20h
1.85V/cell	13.7	10.5	8.72	7.54	5.83	4.30	3.62	2.14	1.68	1.36	1.11	0.96	0.777	0.649	0.356
1.80V/cell	18.4	13.5	10.5	8.91	6.88	5.00	4.06	2.34	1.80	1.45	1.19	1.03	0.825	0.670	0.360
1.75V/cell	20.8	14.8	11.5	9.59	7.14	5.18	4.24	2.42	1.84	1.49	1.22	1.06	0.839	0.688	0.364
1.70V/cell	22.9	16.1	12.3	10.1	7.43	5.39	4.38	2.48	1.89	1.53	1.25	1.08	0.851	0.701	0.370
1.65V/cell	25.2	17.4	13.1	10.7	7.84	5.53	4.48	2.52	1.97	1.58	1.29	1.11	0.864	0.716	0.375
1.60V/cell	27.8	18.9	14.0	11.4	8.28	5.76	4.52	2.63	2.03	1.63	1.33	1.13	0.872	0.724	0.377

### Constant Power Discharge (Watts/cell) at 25°C(77°F)

F.V/Time	5min	10min	15min	20min	30min	45min	1h	2h	3h	4h	5h	6h	8h	10h	20h
1.85V/cell	25.1	19.4	16.3	14.2	11.1	8.26	6.98	4.16	3.27	2.66	2.18	1.90	1.53	1.29	0.706
1.80V/cell	33.3	24.6	19.4	16.6	12.9	9.53	7.78	4.51	3.49	2.83	2.33	2.02	1.62	1.32	0.712
1.75V/cell	36.7	26.6	20.9	17.6	13.3	9.79	8.10	4.66	3.54	2.88	2.38	2.07	1.65	1.36	0.718
1.70V/cell	39.3	28.3	22.0	18.4	13.8	10.1	8.33	4.76	3.64	2.95	2.44	2.11	1.67	1.38	0.731
1.65V/cell	42.8	30.2	23.2	19.4	14.4	10.3	8.46	4.80	3.78	3.04	2.49	2.15	1.69	1.41	0.740
1.60V/cell	46.1	32.1	24.5	20.4	15.1	10.7	8.50	4.99	3.87	3.13	2.57	2.19	1.70	1.42	0.743

