

THIS DOCUMENT MUST NOT BE COPIED OR DISCLOSED TO A THIRD PARTY WITHOUT THE WRITTEN CONSENT OF PANORAMA ANTENNAS LTD.

© 2008 A4

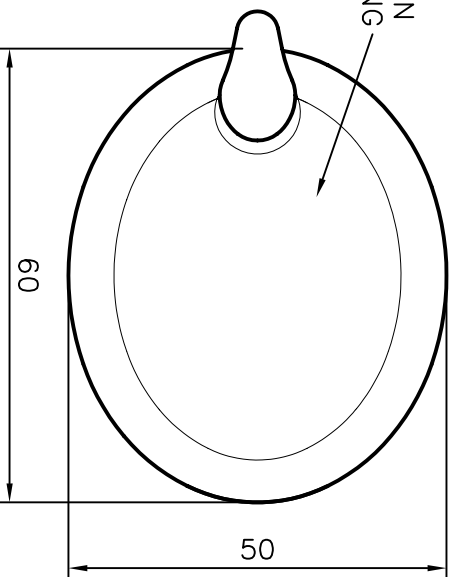
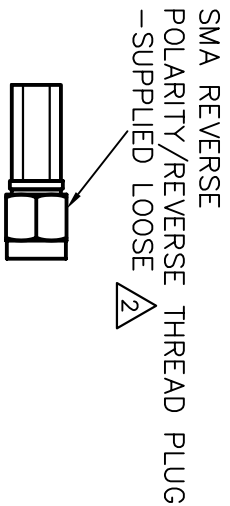
DO NOT SCALE

PROJECTION

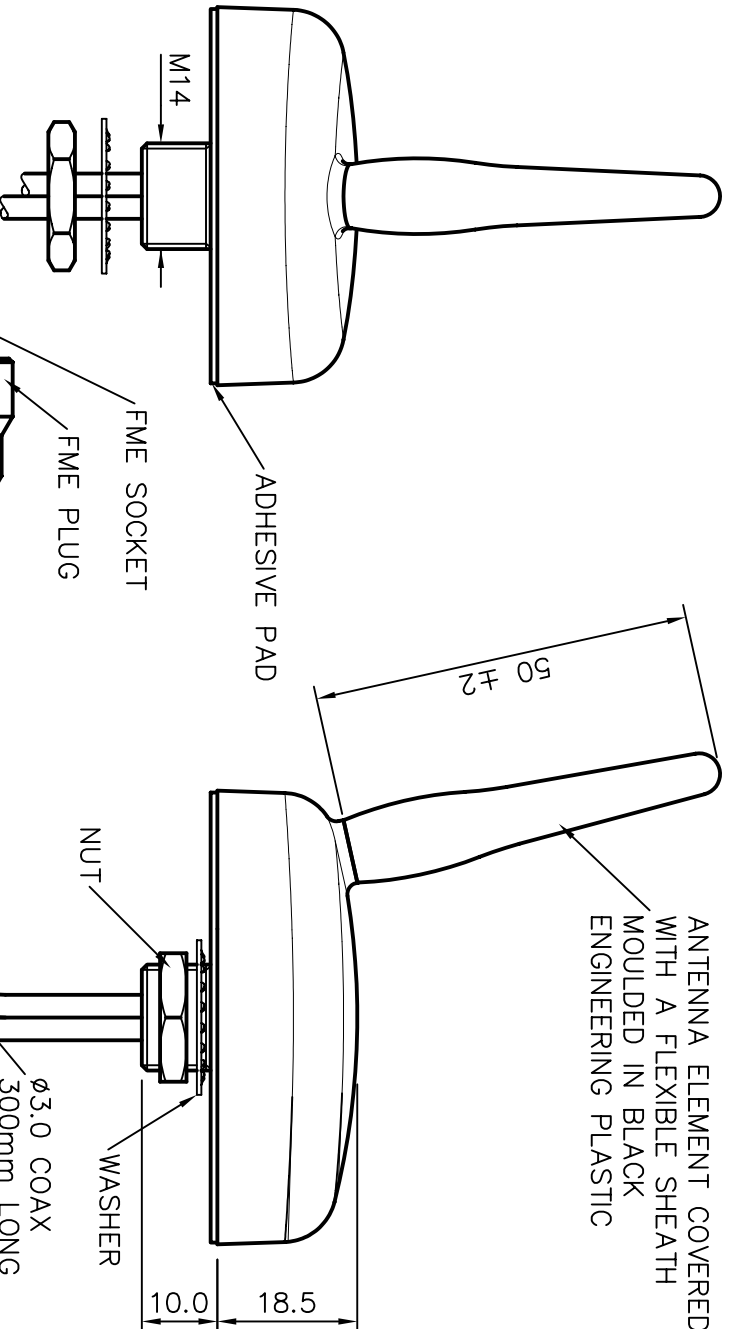


IN1593

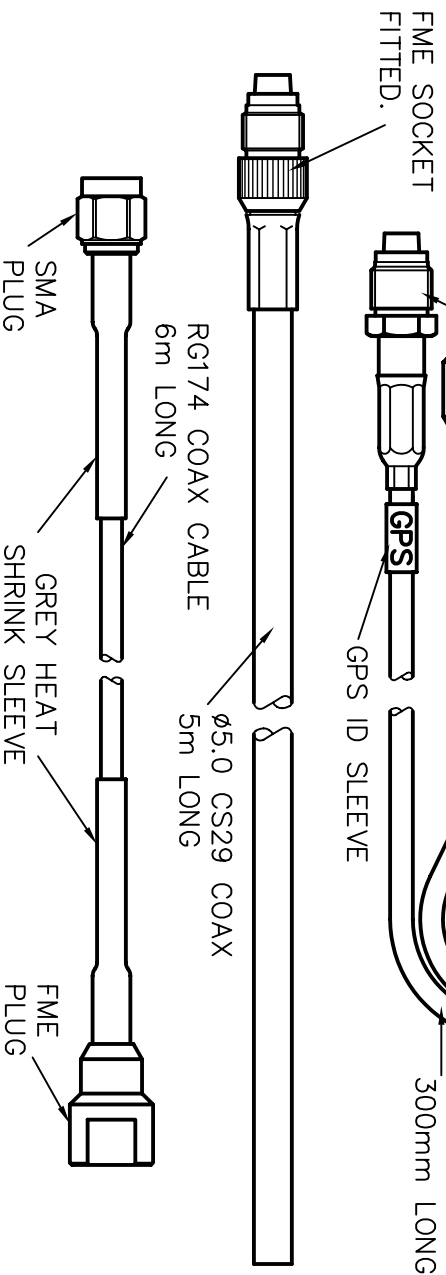
DRG. No.



ANTENNA ELEMENT COVERED WITH A FLEXIBLE SHEATH MOULDED IN BLACK ENGINEERING PLASTIC



△ — DENOTES LATEST ISSUE CHANGES



01019	1	05.03.08	K.D.	TOLERANCES UNLESS OTHERWISE STATED
01019	2	12.05.08	K.D.	0 DEC. PLACE ±0.5 2 DEC. PLACES ±0.1
				1 DEC. PLACE ±0.2 ANGULAR ±1°
				MATERIAL
				FINISH

TITLE
PANEL MNT. 2.4GHZ.+GPS ANTENNA +CABLES/CONNECTOR KIT

DRAWN B.L. DO.CHECK K.D. SCALE 1:1 DIMENSIONS IN mm

PANORAMA ANTENNAS

C/NOTE	ISSUE	DATE	APPROVAL

THIS IS A PROPRIETARY ITEM OF PANORAMA ANTENNAS LTD. AND COULD BE SUBJECT TO CHANGE WITHOUT PRIOR NOTICE. THIS ITEM IS RoHS COMPLIANT.